

Description

The Powerex 53-xxL & 53-xxW series butterfly valves feature heavy duty design suitable for use in medical and laboratory vacuum applications.

Valves shall utilize a lever type quarter turn operator and shall be lockable.

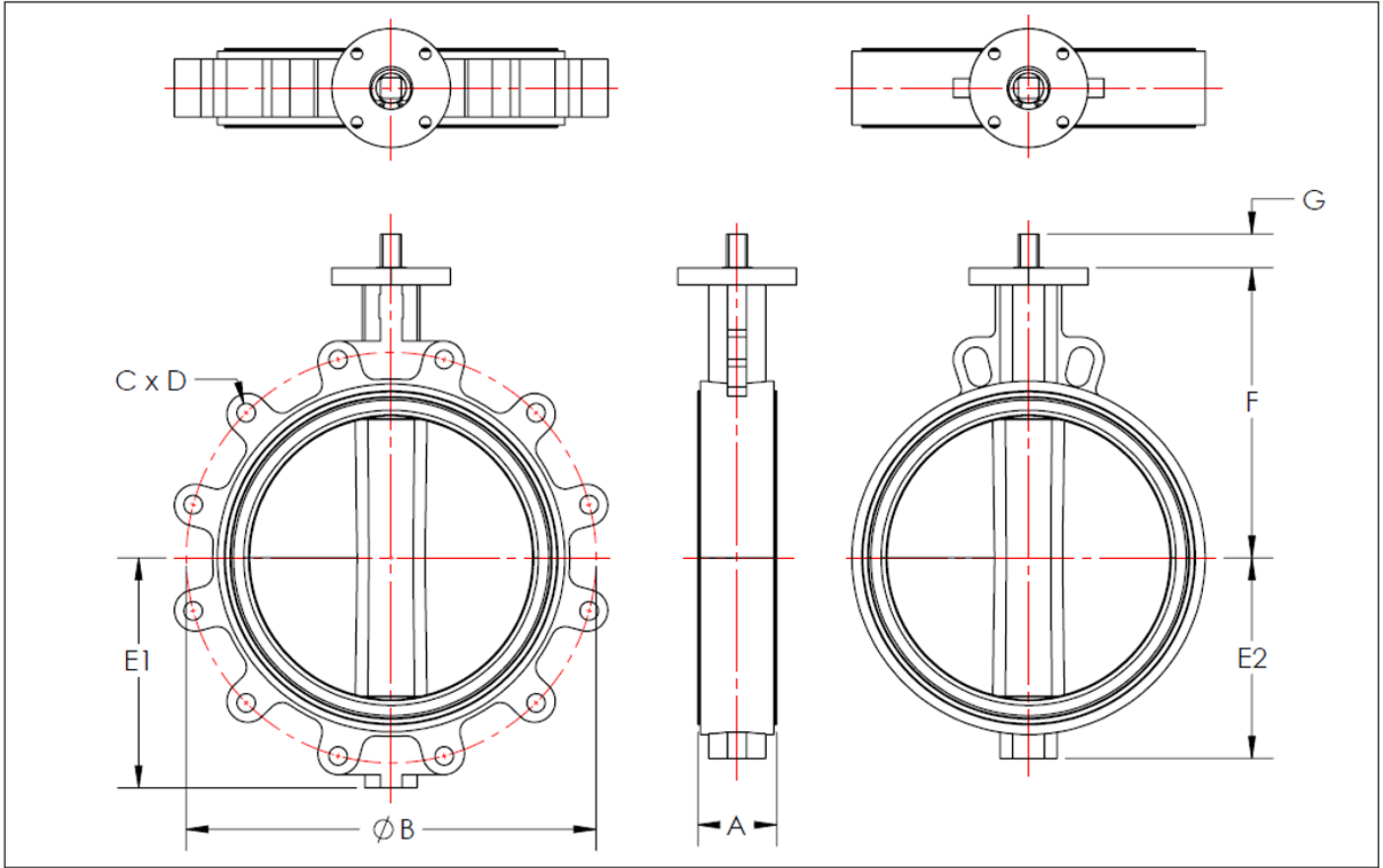
- Replaceable seat
- Durable, stainless-steel disc.
- Epoxy-coated cast iron body.
- Pressure rated up to 250 PSI / full vacuum
- Pin-free design to prevent corrosion
- Field rebuildable
- Tested to API 598, MSS SP-67



Standard Materials

Component	Material	Grade
Body	Ductile Iron	ASTM A395 Gr. 60-40-18
Disc	Stainless Steel	ASTM A351 Gr. CF8 (304)
Seat	EPDM	
Stem	Stainless Steel	ASTM A276 410
Bushing	PTFE	
U-Cup Seal(s)	EPDM	
Shaft Retaining Ring	Stainless Steel	AISI 304
Retaining Clip	Carbon Steel	

Technical Specifications and Dimensions



Part		Valve Size	A	B	C	D	E1 ₁	E2 ₂	F	G	Cv, 50°	Cv, 90°
Lug	Wafer											
PX-53-07L	PX-53-12L	2"	1.693	4.75	4	5/8" - 11UNC	3.1	2.4	5.5	1.10	45	135
PX-53-08L	PX-53-08L	2½"	1.811	5.50	4	5/8" - 11UNC	3.5	2.7	5.9	1.10	65	220
PX-53-09L	PX-53-09L	3"	1.811	6.00	4	5/8" - 11UNC	3.7	3.0	6.2	1.10	70	302
PX-53-10L	PX-53-09L	4"	2.047	7.50	8	5/8" - 11UNC	4.5	3.6	6.9	1.10	139	600
PX-53-11L	PX-53-11L	5"	2.205	8.50	8	3/4" - 10UNC	5.0	4.2	7.5	1.10	237	1022
PX-53-12L	PX-53-11L	6"	2.205	9.50	8	3/4" - 10UNC	5.5	4.7	8.3	1.10	366	1579
PX-53-13L	PX-53-13L	8"	2.362	11.75	8	3/4" - 10UNC	6.9	5.9	9.3	1.57	727	3136

Note:

Table dimensions are in inches.