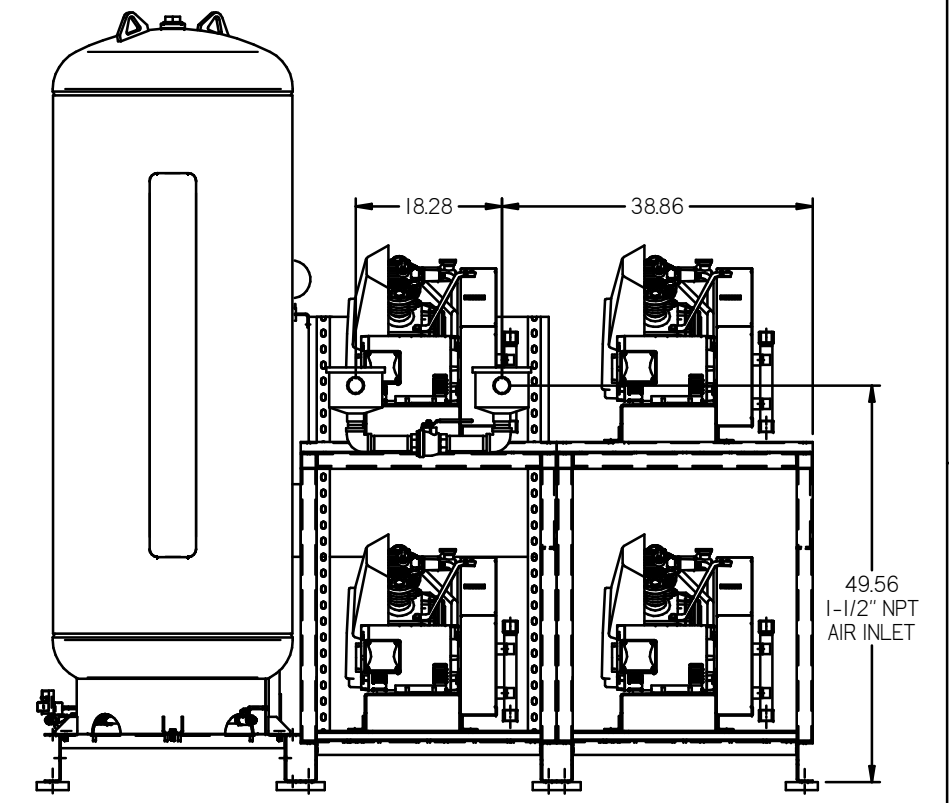
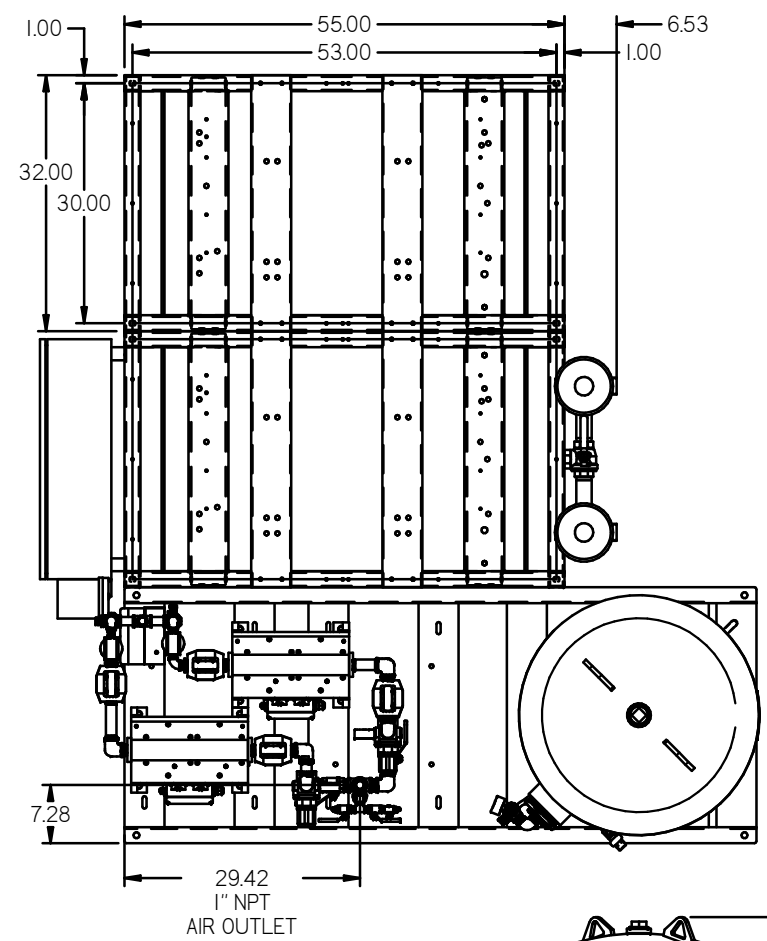


NOTE: A MINIMUM OF 24" CLEARANCE IS RECOMMENDED AROUND THE ENTIRE UNIT.

REV	ZONE	REVISION	DATE	ECN	NAME	CHKD
1	ALL	RELEASED TO PROCEED TO FAB	8/19/09	22126	AEK	GES
C-1	1 ALL	REMOVED 8" BASE AND RELOCATED PANEL AND DRIVERS	9/24/09	22286	AEK	GES
D-1	1 ALL	UPDATED TO CURRENT PRIMARY	10/30/09	22407	AEK	GES
E-1	ALL	ADDED PDM SHEETS	9/18/11	22609	AEK	GES
F-1	2 ALL	ADDED/UPDATED FLEX LINES	12/12/10	PRECD0001	AEK	GES
G-1	1 ALL	CHANGED TO NEW BIG DESIGN	7/14/16	PRECD0032	AEK	GES
H	ALL	CHANGED TO PRESENT ORDER MOUNTING RAIL UPDATED TO TEAM CENTER	7/30/19	PRECD000209	GES	MWH

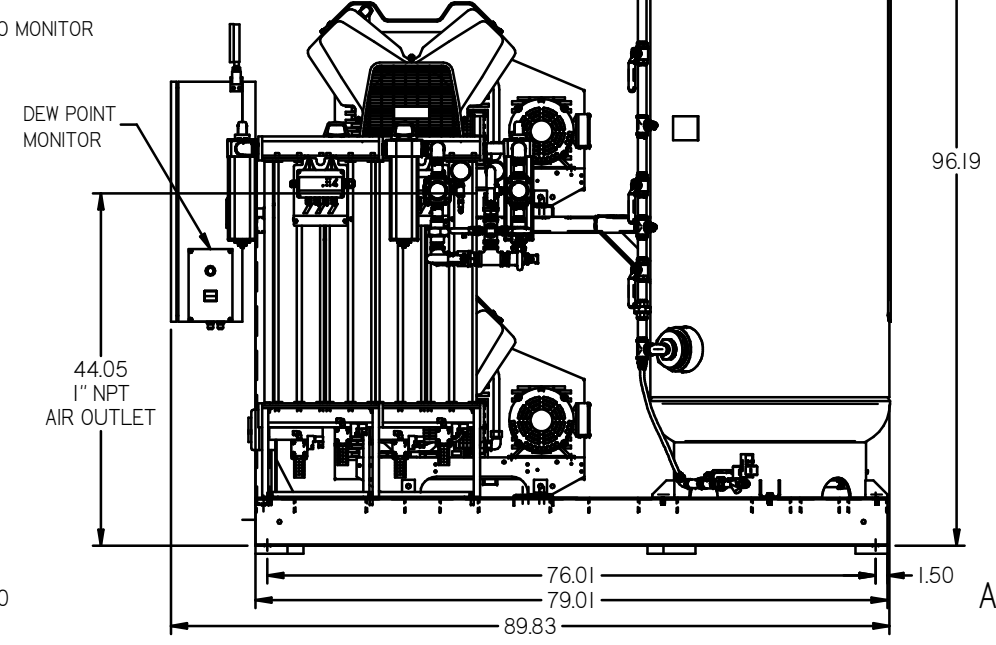
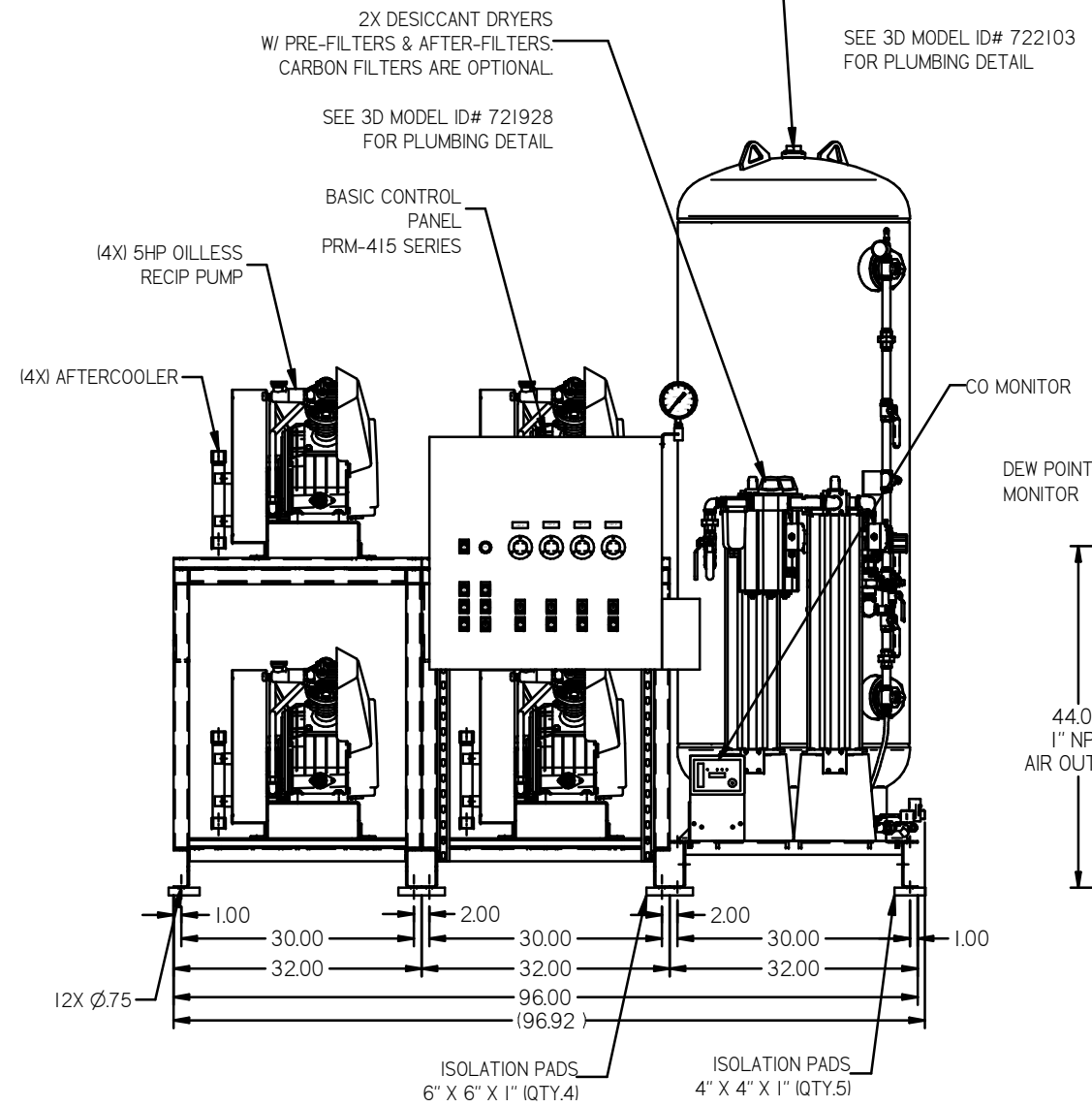


VIEW A-A

NOTE: SYSTEM DESIGNED IN COMPLIANCE WITH U.S. NFPA '99, LATEST EDITION.

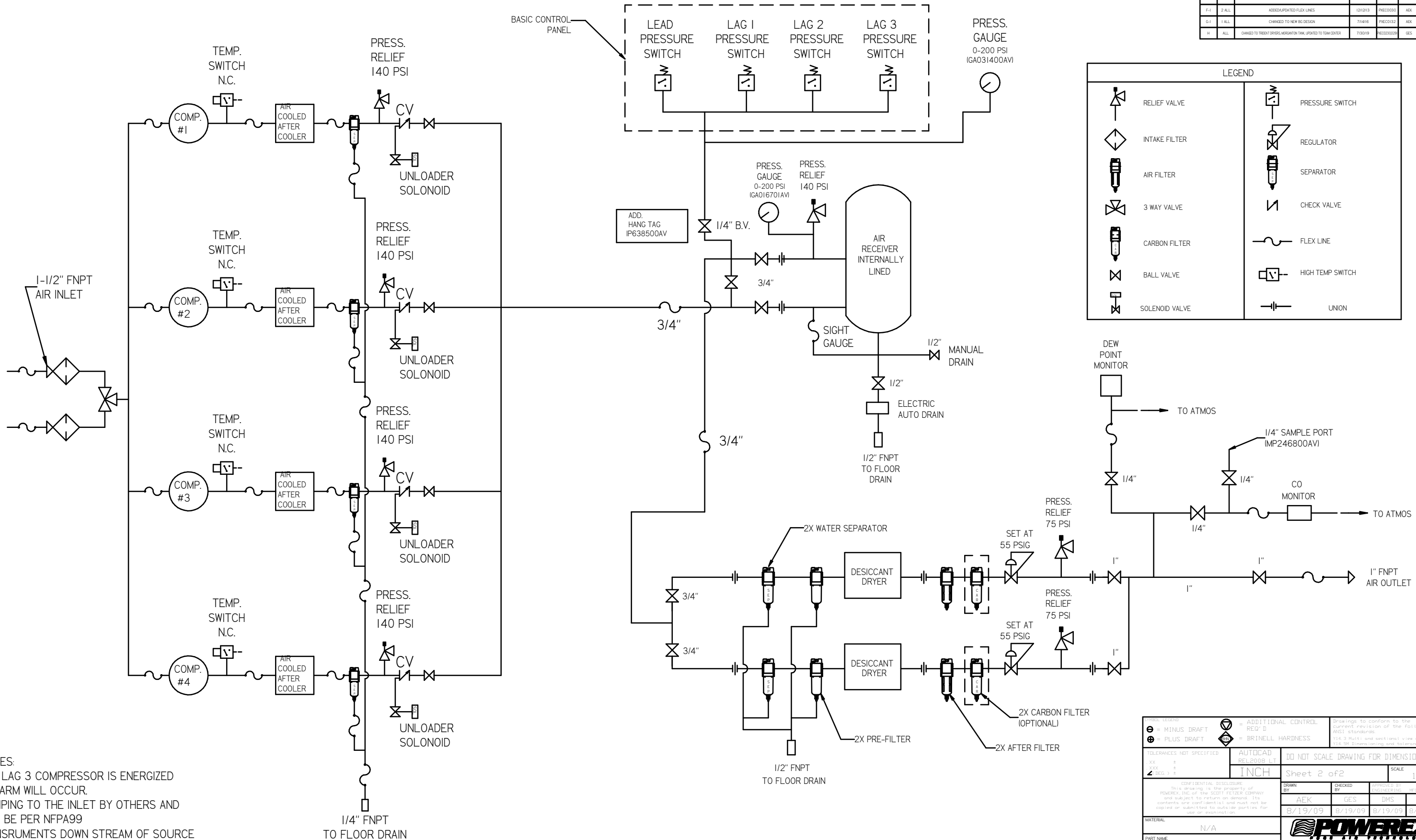
240GAL ASME RECEIVER INTERNALLY LINED  
 SEE 3D MODEL ID# 722103 FOR PLUMBING DETAIL

2X DESICCANT DRYERS W/ PRE-FILTERS & AFTER-FILTERS. CARBON FILTERS ARE OPTIONAL.  
 SEE 3D MODEL ID# 721928 FOR PLUMBING DETAIL



SYMBOL LEGEND: ⊖ MINUS DRAFT ⊕ PLUS DRAFT Δ (DEG) ±	= ADDITIONAL CONTROL REQ'D = BRINELL HARDNESS	Drawings to conform to the current revision of the following ANSI standards: Y14.3 Multi and sectional view dgs. Y14.5 Dimensioning and tolerancing
TOLERANCES NOT SPECIFIED: XX ± .5 XXX ± .2 Δ (DEG) ± .5	AUTOCAD REL2008 LT <b>INCH</b>	DO NOT SCALE DRAWING FOR DIMENSIONS. Sheet 1 of 2 SCALE 1:12
CONFIDENTIAL DISCLOSURE: This drawing is the property of POWEREX, INC. of the SCOTT FETZER COMPANY and subject to return on demand. Its contents are confidential and must not be copied or submitted to outside parties for use or reproduction.		DRAWN BY: AEK CHECKED BY: GES APPROVED BY: DMS, JJ 8/19/09 8/19/09 8/19/09 8/19/09
MATERIAL: N/A		<b>POWEREX</b> 150 PROBLETTEN DRIVE, HARRISBURG, OHIO 45030 TEL: 937-352-7873 FAX: 937-352-7322
PART NAME: QUADPLEX OILLESS RECIP. 5HP. 240GAL. BASEMOUNT DUPLEX DESICCANT		DWG NO: <b>MPQ0508X5</b> SIZE: <b>D</b>

REV	ZONE	REVISION	DATE	ECN	NAME	CHKD
A	ALL	RELEASE TO PRODUCTION	08/19/09		AEK	GES
C-1	ALL	REMOVED IN BASE SKID & RELOCATED PANEL AND OTHERS	02/24/09		AEK	GES
D-1	ALL	UPDATED TO CURRENT FRAMES	11/03/10		AEK	GES
E-1	ALL	ADDED P&ID SHEETS	01/09/11		AEK	GES
F-1	2	ADDED/UPDATED FLEX LINES	12/12/13		AEK	GES
G-1	1	CHANGED TO NEW B3 DESIGN	07/14/16		AEK	GES
H	ALL	CHANGED TO TREAT'S SYSTEM, WASHINGTON TANK, UPDATED TO TANK CENTER	07/08/19		AEK	MMH



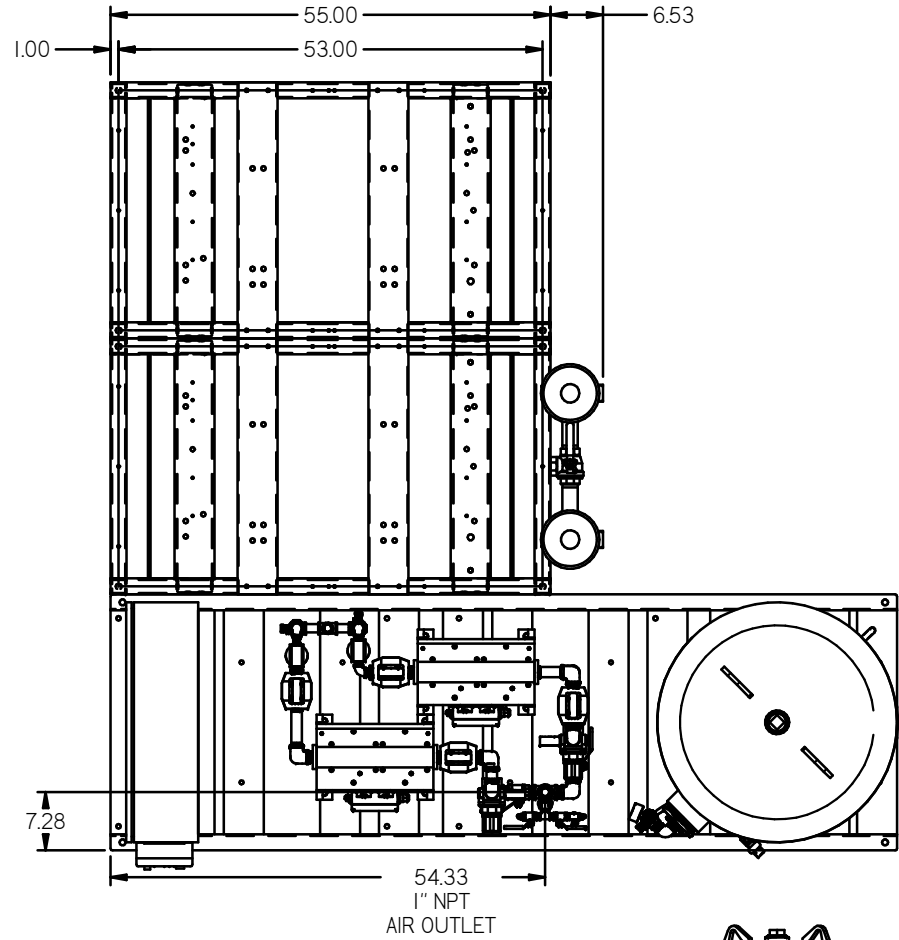
LEGEND	
	RELIEF VALVE
	INTAKE FILTER
	AIR FILTER
	3 WAY VALVE
	CARBON FILTER
	BALL VALVE
	SOLENOID VALVE
	PRESSURE SWITCH
	REGULATOR
	SEPARATOR
	CHECK VALVE
	FLEX LINE
	HIGH TEMP SWITCH
	UNION

- NOTES:  
 1) IF LAG 3 COMPRESSOR IS ENERGIZED ALARM WILL OCCUR.  
 2) PIPING TO THE INLET BY OTHERS AND TO BE PER NFPA99  
 3) INSTRUMENTS DOWN STREAM OF SOURCE VALVE TO BE SUPPLIED BY OTHERS.

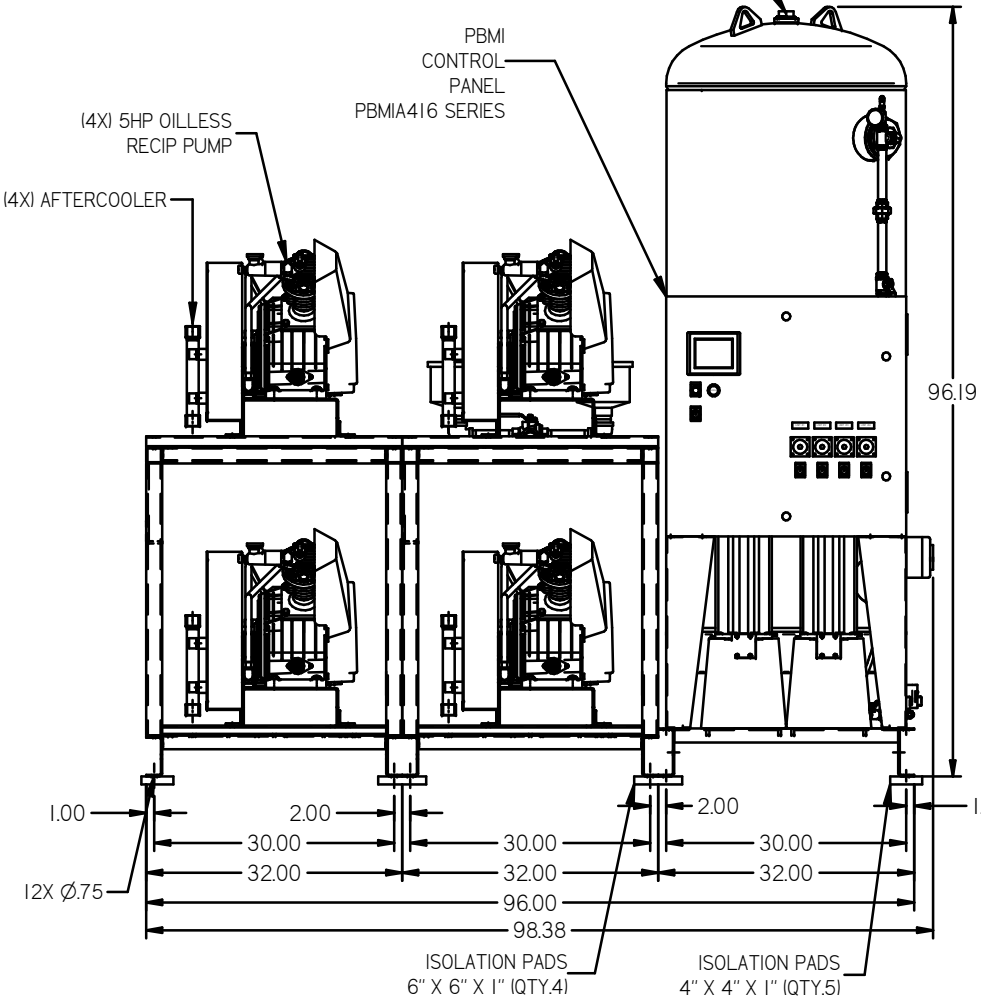
TOLERANCES NOT SPECIFIED XX ± .005 XXX ± .010 2 DEC ± .015		AUTOCAD REL2009 LT <b>INCH</b>	DO NOT SCALE DRAWING FOR DIMENSIONS Sheet 2 of 2 SCALE 1:12
CONFIDENTIAL DISCLOSURE This drawing is the property of POWEREX, INC. or the SCOTT FETZER COMPANY and is subject to return on demand. Its contents are confidential and must not be copied or submitted to outside parties for use or reproduction.		DRAWN BY AEK	CHECKED BY GES
MATERIAL N/A		APPROVED BY DMS	DATE 8/19/09
PART NAME QUAD RECIP MED PACKAGE FLOW SCHEMATIC			
DWG NO MPQ0508X5		SIZE D	

NOTE: A MINIMUM OF 24" CLEARANCE IS RECOMMENDED AROUND THE ENTIRE UNIT.

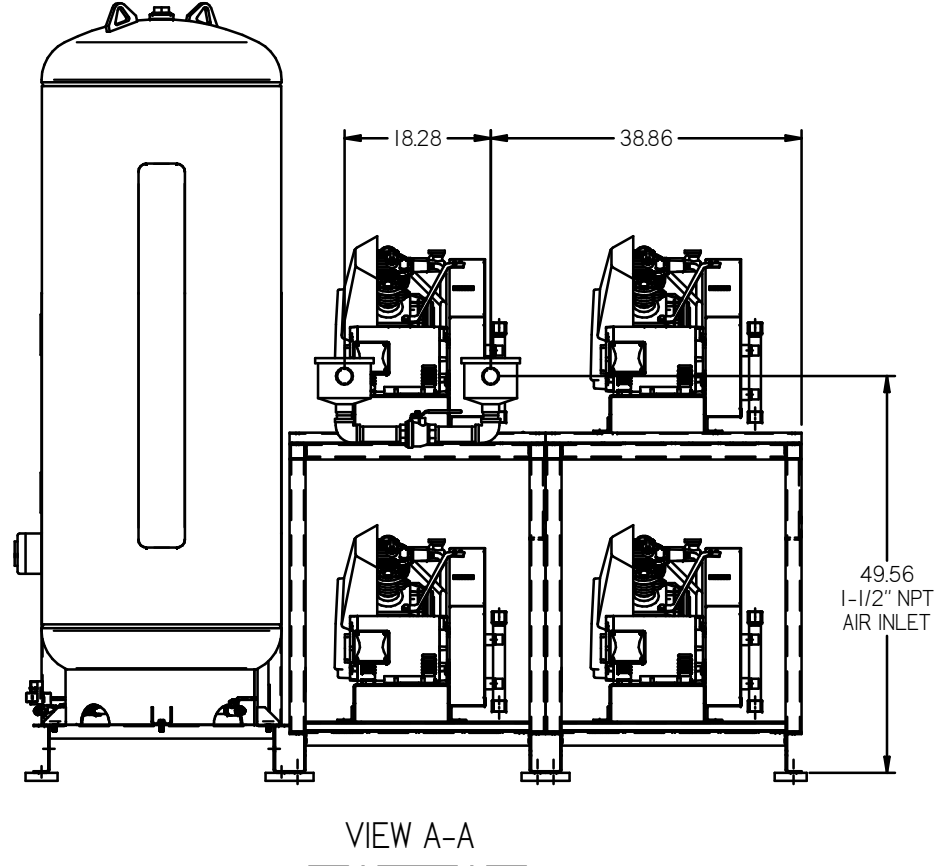
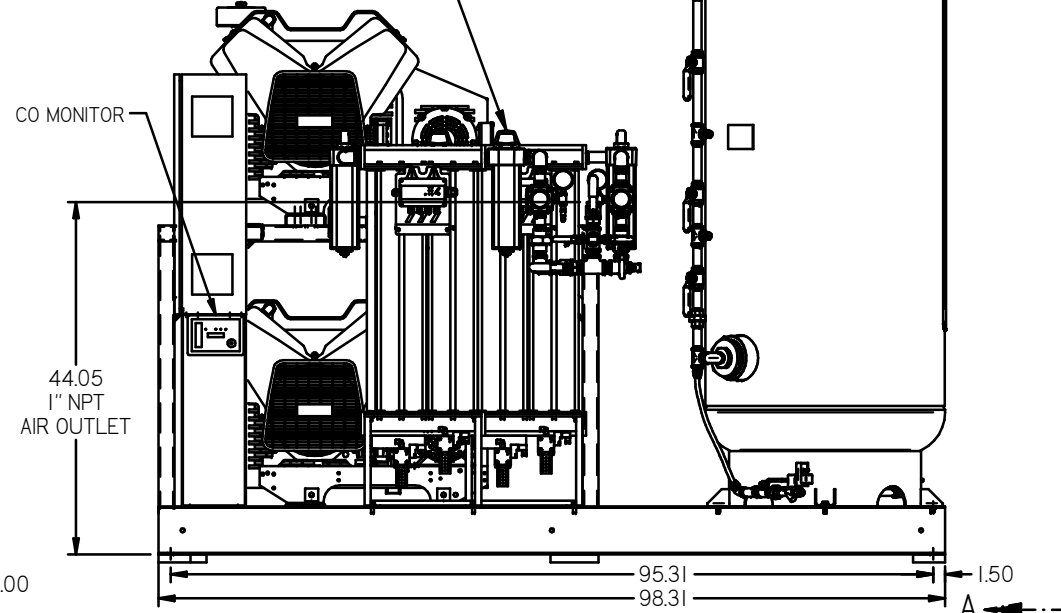
REV	ZONE	REVISION	DATE	ECN	NAME	CHRD
1	ALL	ADDED PUMP SHEETS	9/19/11	0001	AEK	GES
F-1	2 ALL	ADDED/UPDATED FLEX LINES	12/12/13	PRE00030	AEK	GES
G-1	ALL	CHANGED TO NEW B3 DESIGN	7/14/16	PRE00032	AEK	GES
H	ALL	CHANGED TO PREVENT ORDER MISMATCH TAK. UPDATED TO TEAM CENTER	7/30/19	PRE0003029	GES	MMH



240GAL ASME RECEIVER INTERNALLY LINED  
SEE 3D MODEL ID# 722103 FOR PLUMBING DETAIL



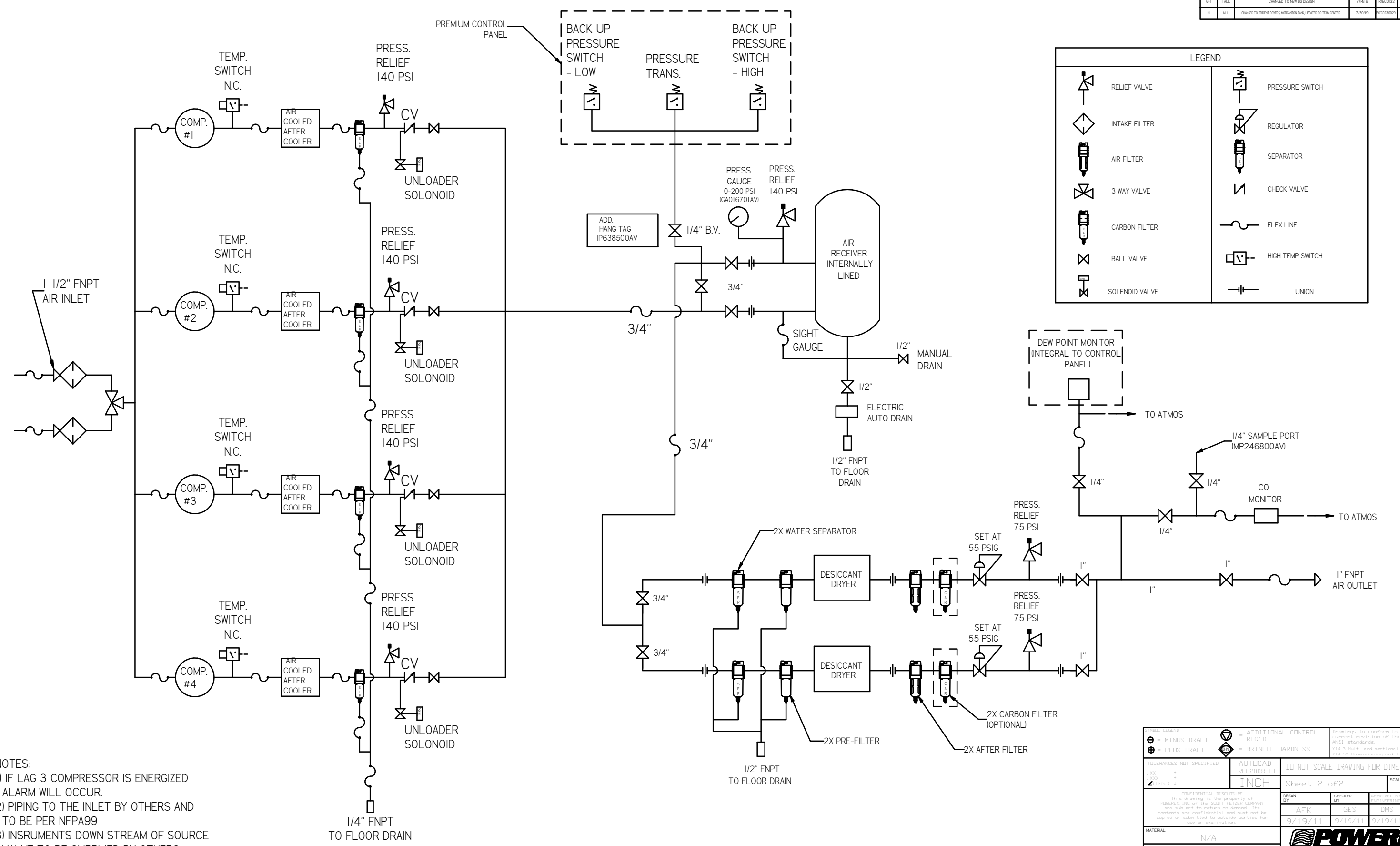
2X DESICCANT DRYERS W/ PRE-FILTERS & AFTER-FILTERS. CARBON FILTERS ARE OPTIONAL.  
SEE 3D MODEL ID# 721928 FOR PLUMBING DETAIL



NOTE: SYSTEM DESIGNED IN COMPLIANCE WITH U.S. NFPA '99, LATEST EDITION.

<p><b>SYMBOL LEGEND</b></p> <p>⊖ = MINUS DRAFT</p> <p>⊕ = PLUS DRAFT</p> <p>⊕ = ADDITIONAL CONTROL REQ'D</p> <p>⊕ = BRINELL HARDNESS</p>	<p>Drawings to conform to the current revision of the following AWS standards:</p> <p>1.4.3 Multi and sectional view steps</p> <p>1.4.2M Dimensioning and tolerancing</p>
<p>TOLERANCES NOT SPECIFIED:</p> <p>XX ±</p> <p>XXX ±</p> <p>ZZ (DEC) ±</p>	<p>AUTOCAD REV 2008 LT</p> <p>INCH</p> <p>DO NOT SCALE DRAWING FOR DIMENSIONS</p> <p>Sheet 1 of 2</p> <p>SCALE 1:12</p>
<p>CONFIDENTIAL DISCLOSURE: This drawing is the property of POWEREX, INC. of the SCOTT PETZER COMPANY and subject to return on demand. Its contents are confidential and must not be copied or submitted to outside parties for use or examination.</p>	<p>DRWN BY: AEK</p> <p>CHECKED BY: GES</p> <p>APPROVED BY: DMS, RJR</p> <p>9/19/11 9/19/11 9/19/11 9/19/11</p>
<p>MATERIAL: N/A</p> <p>PART NAME: QUADPLEX OILLESS RECIP. SHP. 240GAL. BASEMOUNT DUPLEX DESICCANT</p>	<p><b>POWEREX</b></p> <p>150 PRODUCTION DRIVE HARRISBURG, OHIO 45030</p> <p>TEL: 606-766-7274 FAX: 606-766-3120</p> <p>SIZE: D</p>

REV	ZONE	REVISION	DATE	EDN	NAME	DWD
E-1	ALL	ADDED PIPING SHEETS	9/19/11	10660	AEK	GES
F-1	ALL	ADDED/UPDATED FLEX LINES	10/20/11	PRE00030	AEK	GES
G-1	ALL	CHANGED TO NEW BG DESIGN	7/14/16	PRE00032	AEK	GES
H	ALL	CHANGED TO TREAT DRUGS, MORGANTON TANK, UPDATED TO TEAM CENTER	7/30/19	PRE0003029	GES	MMH



LEGEND	
	RELIEF VALVE
	INTAKE FILTER
	AIR FILTER
	3 WAY VALVE
	CARBON FILTER
	BALL VALVE
	SOLENOID VALVE
	PRESSURE SWITCH
	REGULATOR
	SEPARATOR
	CHECK VALVE
	FLEX LINE
	HIGH TEMP SWITCH
	UNION

- NOTES:
- 1) IF LAG 3 COMPRESSOR IS ENERGIZED ALARM WILL OCCUR.
  - 2) PIPING TO THE INLET BY OTHERS AND TO BE PER NFPA99
  - 3) INSTRUMENTS DOWN STREAM OF SOURCE VALVE TO BE SUPPLIED BY OTHERS.

MINUS DRAFT PLUS DRAFT TOLERANCES NOT SPECIFIED XX ± .005 Z SEE 1-3	AUTOCAD REL2008 LT INCH DO NOT SCALE DRAWING FOR DIMENSIONS Sheet 2 of 2 SCALE 1:12	Drawings to conform to the current revision of the following ANSI standards: Y14.3 Multi and sectional view dgs. Y14.9 Dimensioning and tolerancing
CONFIDENTIAL DISCLOSURE This drawing is the property of POWEREX, INC. of the SCOTT FETZER COMPANY and subject to return on demand. Its contents are confidential and must not be copied or submitted to outside parties for use or examination.	DRAWN BY: AEK CHECKED BY: GES 9/19/11	DESIGNED BY: DMS REVIEWED BY: RJR 9/19/11
MATERIAL: N/A PART NAME: QUAD RECIP MED PACKAGE FLOW SCHEMATIC DWG NO: MPQ0508X5		SIZE: D