



Medical Desiccant Dryers

Rev.6/13/11

DIMENSIONS ¹					
MODEL	DIM. A	DIM. B	DIM. C	Inlet	Outlet
MDD0058	18"	29"	54"	1/2"	1/2"
MDD0108	18"	29"	54"	1/2"	1/2"
MDD0158	18"	29"	54"	1/2"	1/2"
MDD0308	18"	29"	64"	1/2"	3/4"
MDD0358	18"	29"	73"	3/4"	3/4"
MDD0558	18"	29"	73"	3/4"	1"
MDD0708	36"	29"	81"	1"	1 1/2"

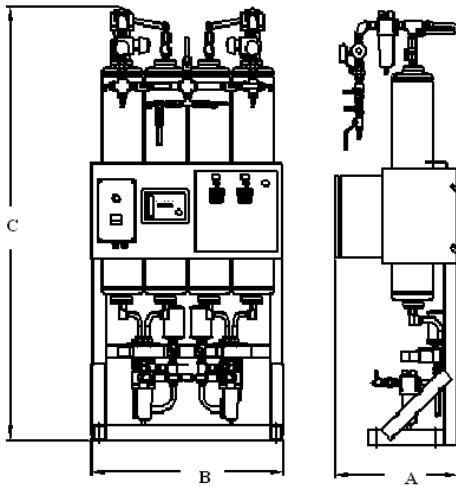
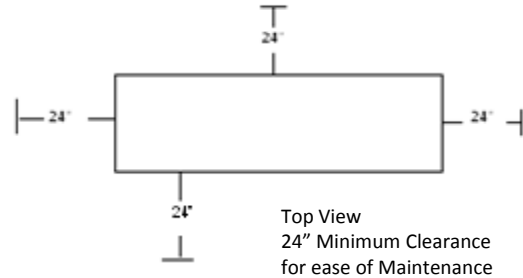


Fig. A

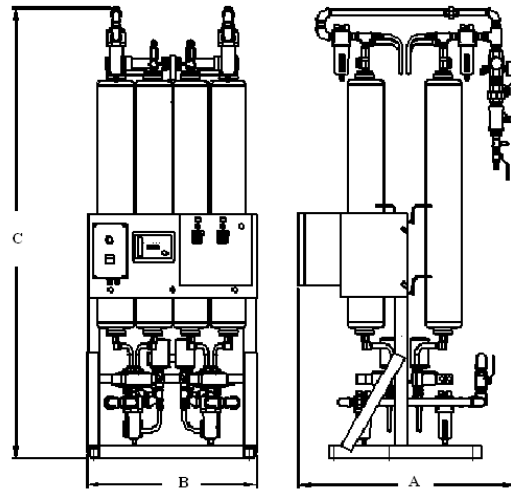


Fig. B

Medical Desiccant Dryers				
MODEL	SCFM @100 PSIG	Voltage*		Unit Weight**
MDD0058	6.5	115 V	208-230 V	185
MDD0108	10	115 V	208-230 V	185
MDD0158	17	115 V	208-230 V	185
MDD0308	30	115 V	208-230 V	355
MDD0358	45	115 V	208-230 V	390
MDD0558	55	115 V	208-230 V	395
MDD0708	110	115 V	208-230 V	910

Note: Dryer Sizing - SCFM listed is for each dryer. Powerex Medical Dryer Systems provide 100% backup. When selecting the proper Medical Dryer System, match the listed SCFM with the SCFM of the compressor(s) in operation with one compressor in reserve per NFPA 99. Includes: filter package, CO monitor, and Dew point monitor.

1- For all models except MDD0708, refer to Figure A. For MDD0708, refer to Figure B.

* Dryer available in either 115 V or 208-230 V. Please specify voltage when ordering.

** Unit weights are approximate. Actual weights may vary.