

Scroll Compressor for Transportation



Benefits of our oil-less scroll compressors:

Reduce waste

- No oil anywhere in the compressor
- Protects our environment eliminating oil and oil changes

Reduce cost

- Shorter service downtimes
- Easy maintenance design

High efficiency, low operating temperatures

Extremely low vibration

Whisper quiet operation

- Approx. 69 dB(A)

Light weight and compact design



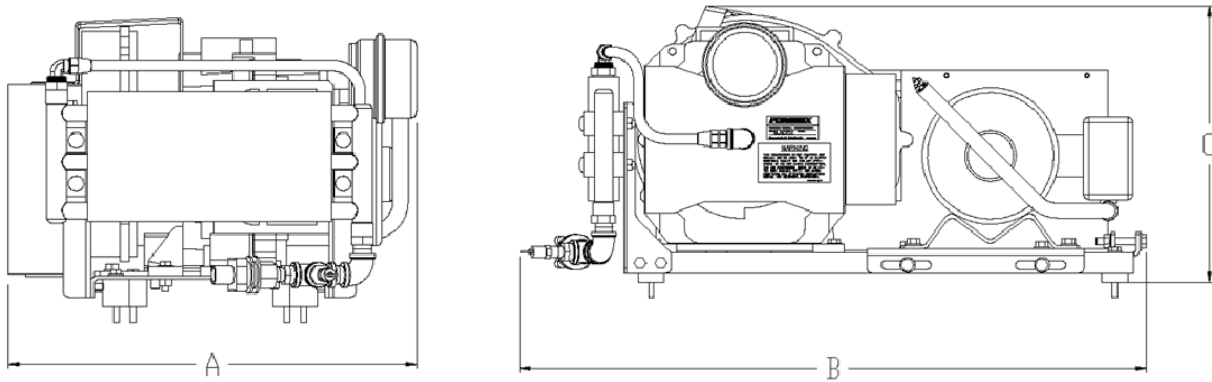
APPLICATIONS

- ◆ Transport Vehicles
- ◆ Light Rail
- ◆ Trolley
- ◆ Hybrid Bus
- ◆ Electric Bus
- ◆ Hybrid Trucks

ENGINEERING SPECIFICATIONS

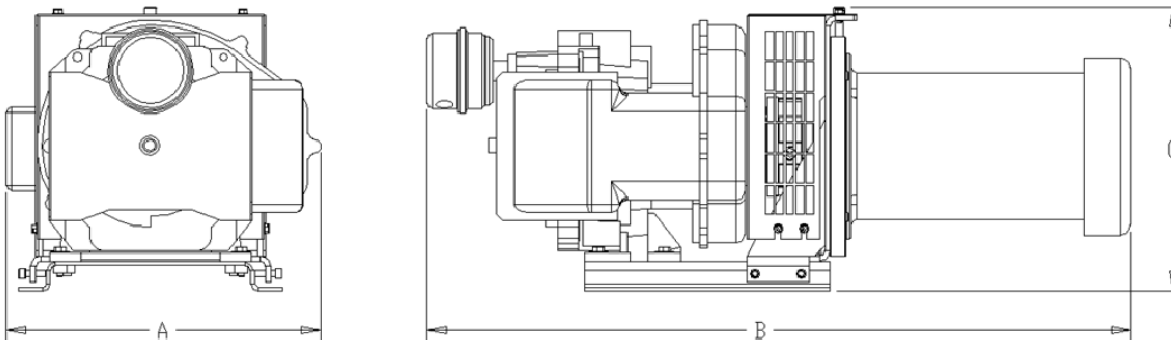
OEM OIL-LESS SCROLL BASEMOUNT SIMPLEX—MODEL SBB

Model	HP	Max. PSIG	SCFM @ Max. PSIG	RPM @ Max. PSIG	Dimensions (L x W x H) (in inches)	Drive	Shipping Weight (lbs.)*
SBB030700	3	115	8.7	3140	17 x 30 x 13.5	Belt	191 lbs.
SBB030700HP	3	145	7.1	2770	17 x 30 x 13.5	Belt	191 lbs.
SBB050700	5	115	15.2	3250	19 x 30 x 13	Belt	214 lbs.
SBB050700HP	5	145	12.1	3250	19 x 30 x 13	Belt	214 lbs.



OIL-LESS SCROLL DIRECT COUPLE—MODEL SDC

Model	HP	Max. PSIG	SCFM @ Max. PSIG	Dimensions (L x W x H) (in inches)	Shipping Weight (lbs.)*
SDC050700HP	5	145	13.3	15 x 34 x 14	161 lbs.



* Shipping weights are approximate. Actual weights may vary.



150 Production Drive, Harrison, Ohio 45030
 Telephone: (888) 769-7979 Fax: (513) 367-3125
 www.powerexinc.com

Distributed by: