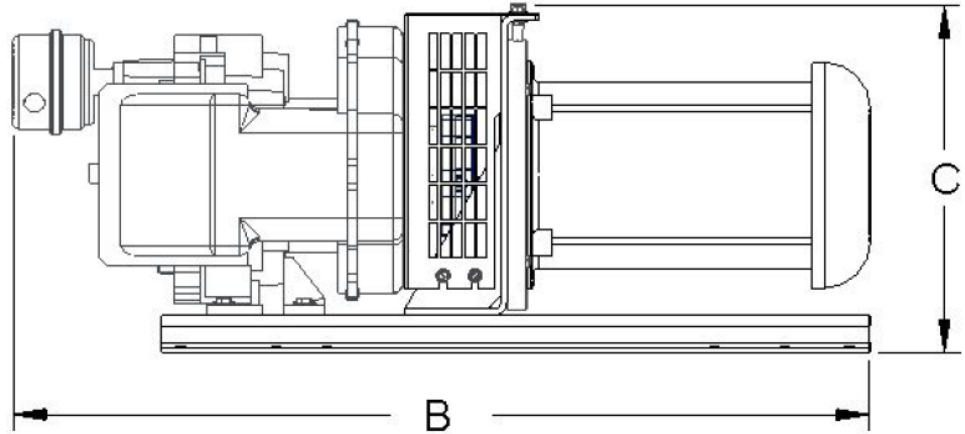
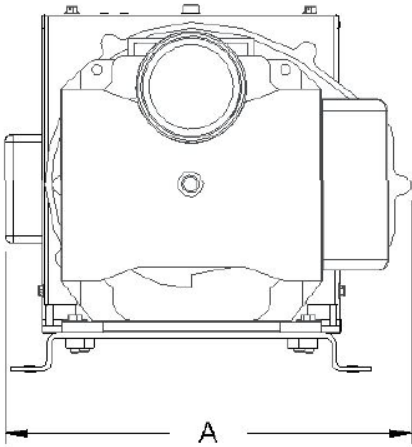
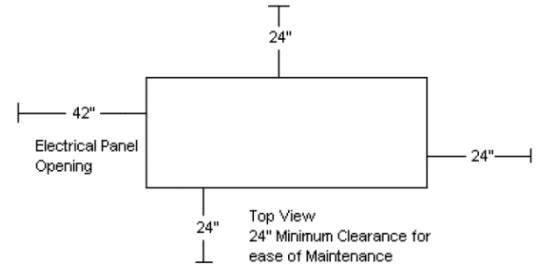


Dimensions			
Model	Dim. A	Dim. B	Dim. C
SDC050700	15"	34"	14"
SDC0507HP	15"	34"	14"



Oil-less Scroll Direct Couple – Transportation								
Model	HP <sup>1</sup>	SCFM @ 100 PSIG	SCFM @ 100 PSIG	Maximum PSIG	BTU/Hr	dB(A) Level	F.L.A./Motor*	System Weight (lbs)
							208V – 3PH	
SDC050700	5	16.1	-	115	12,725	81.5	16.7	161
SDC0507HP	5	-	13.3	145	12,725	81.5	16.7	161

**Notes:**

1 – 1 Year Limited Warranty

\*NEC (National Electric Code) F.L.A./motor listed. Actual values are less than stated. If actual values are needed, please contact the factory.