

Specification

General

The Powerex Laboratory Scroll Enclosed Air Compressor System is designed to provide clean, dry air for applications where the quality of the compressed air is critical. The standard unit is rated for a maximum of 115 PSIG. The package shall include multiple oil-less scroll air compressors and associated equipment. Each system is completely tested before shipment and includes:

- Multiple oil-less scroll air compressors and associated equipment.
- Corrosion resistant air receiver.
- Desiccant air dryers with purge control.
- Control panel.
- Dewpoint monitor.

System installation requirements:

- Main power connection to master control panel.
- Interconnecting power wiring between master panel, each compressor unit, and tank/dryer skid.
- Control signal wiring between master panel and each compressor unit.
- Remote inlet air connection to each module – minimum 1.5" NPTF.
- Interconnecting plumbing connections between each compressor and tank/dryer skid.

Oilless Scroll Compressor Pump

Each compressor shall be belt driven oil-less rotary scroll single stage, air-cooled construction with absolutely no oil needed for operation. Direct drive compressors shall not be used.

- The rotary design shall not require any inlet or exhaust valves and shall be rated for 100% continuous duty.
- Tip seals shall be of a composite PTFE material and be rated for 8,000 hours operation.
- Compressor bearings shall be external to the air compression chamber and shall all be serviceable for extended compressor life. Bearing maintenance shall not be required until 8,000 run hours. Compressors with bearings that are not accessible for service have a limited life span and shall not be accepted. Compressors shall have an integral radial flow fan for cooling and shall not require any additional electric cooling fans.
- Each compressor shall have flexible connectors on intake and discharge, an electric drive motor, a discharge check valve, an air-cooled aftercooler, a condensate separator* and a high discharge temperature shut down switch.

Motor

Each compressor shall be belt driven by a TEFC, NEMA construction motor. Motors are EISA compliant and premium efficient.

Main Controls

The main control panel provides power to the dryer skid, monitors, and the scroll enclosure controls. The main control panel has all the alarm contacts and operations. The system main control panel

features include the following:

For Simplex (LSE) Systems:

- NEMA 12 Enclosure
- UL508A listing for main control panel, UL1450 for compressor enclosure
- Single point connection for incoming three phase power via main power distribution block
- Circuit breaker disconnect with lockable handle provides circuit protection for each scroll enclosure
- Control voltage transformer with fused primary and secondary protection provides power to air quality monitor(s), desiccant dryers, and receiver drain
- Low pressure switch
- System alarms to include audible and visual indication along with dry contacts for each of the following:
 - Low pressure alarm
 - General fault (indicates High Temp or overload trip from each enclosure)
- Dry contacts for air quality monitor(s)
- Panel door to include:
 - Alarm lights
 - Horn
 - Acknowledge button
 - 3-position dryer switch "Dryer#1-Both-Dryer#2"
 - Power "ON" light
 - Enclosure power disconnect handle

For Duplex (LSED) Systems:

Includes all features listed above for simplex systems with the following additional features:

- Dual control transformer with auto switching circuit
- Lag pressure switch
- PLC control for alternation
- Low pressure backup circuit
- Lighted HOA for each enclosure

Scroll Enclosure Controls

The controls operate the simplex or duplex air compressor modules as needed in response to a pressure signal from a pressure transducer located in the system manifold. An illuminated on/off push button controls power to the motor starters. When the button is in the off position, the system is merely in stand-by mode, not powered off.

The pressure transducer sends a signal to the programmable logic controller (PLC) which is programmed to operate two, three or four compressor modules as needed to maintain the system pressure requirements. An HMI touch screen interface displays system status and alarm conditions. Pressure settings are user adjustable within factory predetermined setting limits.

The PLC will alternate each compressor module based on demand as well as timed alternation. If a compressor module is running longer than ten minutes continuously, the control will alternate to the next available compressor module to equalize run time and synchronize

maintenance intervals. On initial start up or if air pressure drops rapidly, simultaneous motor starts are prevented by a programmed three second stagger. One 120VAC control circuit transformer with primary and secondary fuses is installed for control circuit voltage.

Motor circuit breakers with lockable disconnects are provided for each compressor module. Operating hours, high temperature alarms, motor overload alarms, run indication, and hours to scheduled maintenance for each compressor module are displayed on the screen. All alarm history is kept in the alarm log. Easily navigated menus are provided to allow the user to select the display conditions and acknowledge the alarms. Remote alarm contacts are provided as shown on the system wiring diagram.

The Scroll Enclosure Controls also come standard with the addition of a gateway server card and an ethernet port for connection to BacNet® server or direct connection to facility Ethernet for viewing of system operations and status via device IP-address. This gateway server card connects to the building automation communication gateway with BacNet® protocol and Web server features. Web server features include email notifications in case the system is in alarm or has achieved one of its maintenance intervals and requires service.

Inlet Filters

The system includes a single inlet filter with a pleated element and a canister with silencing tubes. The single inlet filter serves all the compressor modules in the system. The filter is located inside the sound reducing cabinet protected by a convenient access panel.

Sound Reducing Enclosure

The system is constructed with an internal frame and steel base system with individual vibration isolation mounted compressor modules. The sound reducing enclosure has a front access panel to allow service of the electrical controls. The enclosure has rear cooling air intake and all exhaust air leaves the enclosure from the top.

Air Receiver

The system shall include an ASME air receiver rated for 200 PSI MAWP. The tank shall be equipped with:

- A pressure gauge and a safety relief valve.
- By-pass valves to allow tank isolation without system shutdown.
- An automatic electronic tank drain with manual override.

The receiver shall be internally lined with an FDA approved material for corrosion resistance.

Air Purification Package

The air purification package shall consist of the following: dual desiccant air dryers, dual filter and regulator bank with sample ports, and dew point monitor with alarms, and all bypass piping. Piping to be brass, stainless, or type K copper, and cleaned for medical air use. All components shall be mounted piped and wired to the air receiver.

Desiccant Air Dryers

The twin-tower, heatless desiccant air dryer shall yield a pressure dew point of -40°F. The dryer shall be installed and plumbed on a

common steel skid to the air receiver. The dryer design shall be of the automatic pressure swing, heatless, regenerative type and shall include a solid state cycle timer, reliable switching valve design, and purge muffler for quiet operation. Dryer controls shall include on/off/variable mode selector switch and digital display with cycle mode counter.

The filtration system shall consist of 2 stages of filtration mounted and plumbed to the air dryer. The first stage of filtration shall include a .01 micron coalescing pre-filter with element change indicator and automatic condensate drain and installed up-stream of the air dryer. The second stage shall include a 1 micron particulate filter with element change indicator and installed downstream of the air dryer.

Dewpoint Monitor

The system-integrated hygrometer shall be equipped with an LCD dewpoint display and high dewpoint alarm with dry contacts connected to main controls panel. The sensor shall include an auto calibration feature to ensure the accuracy of the dewpoint measurement. Alarm set points as follows:

- High Alarm: -20°F (28.8°C)
- Economy Mode: -45°F
- Fixed Mode: -40°F

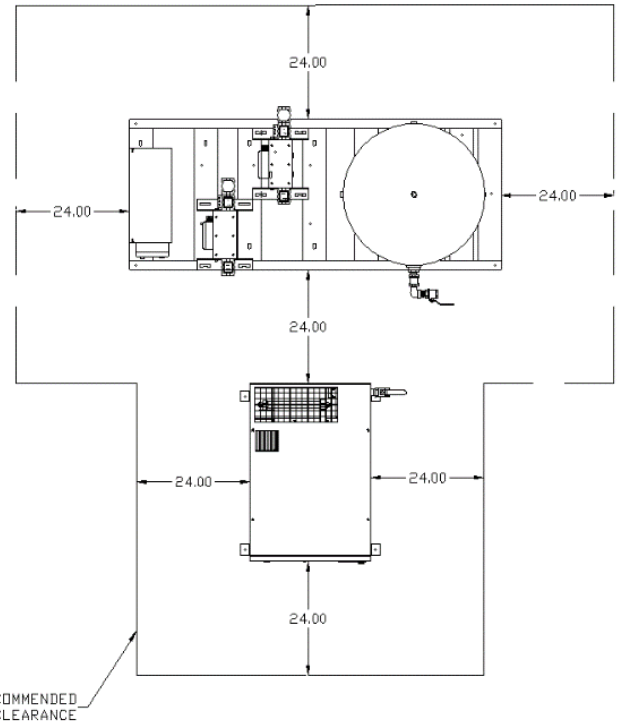
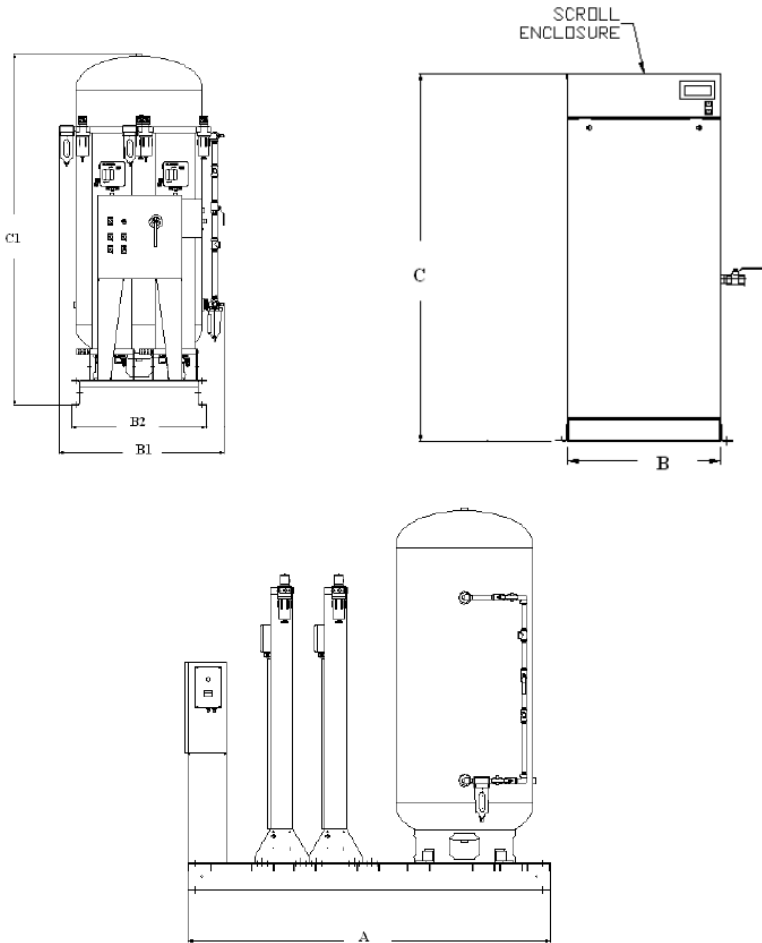
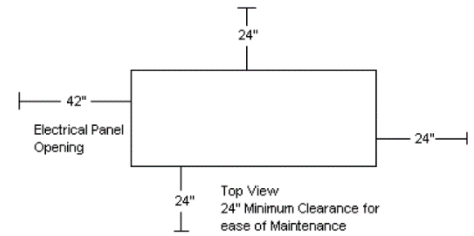
Moisture Separator

The moisture separator shall be sized for the peak calculated demand and shall include an auto float drain to purge the collected moisture.

Optional Carbon Monoxide Monitor

Carbon monoxide (CO) monitor is in an enclosure with LCD display of CO concentrations. The monitor shall continuously display the CO content of the discharge air and shall provide audible and visual high CO alarms. High alarm is set at 10ppm. Dry contacts are provided for remote monitoring of the high CO alarm on the main control panel

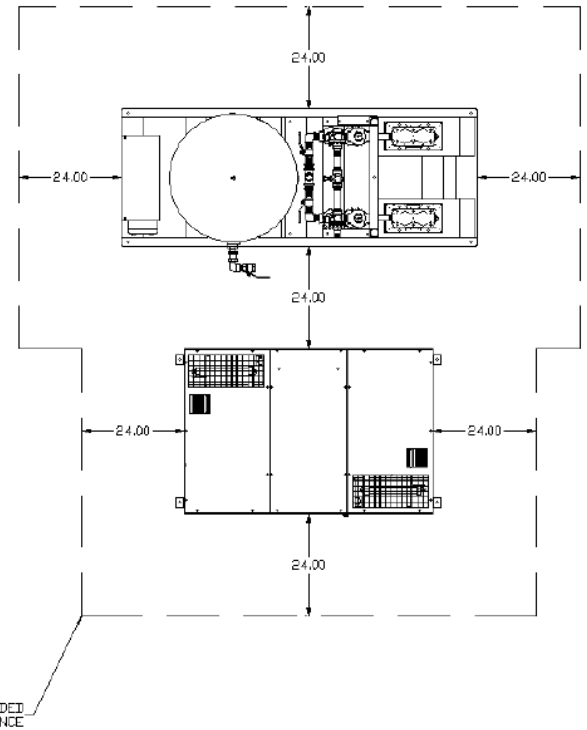
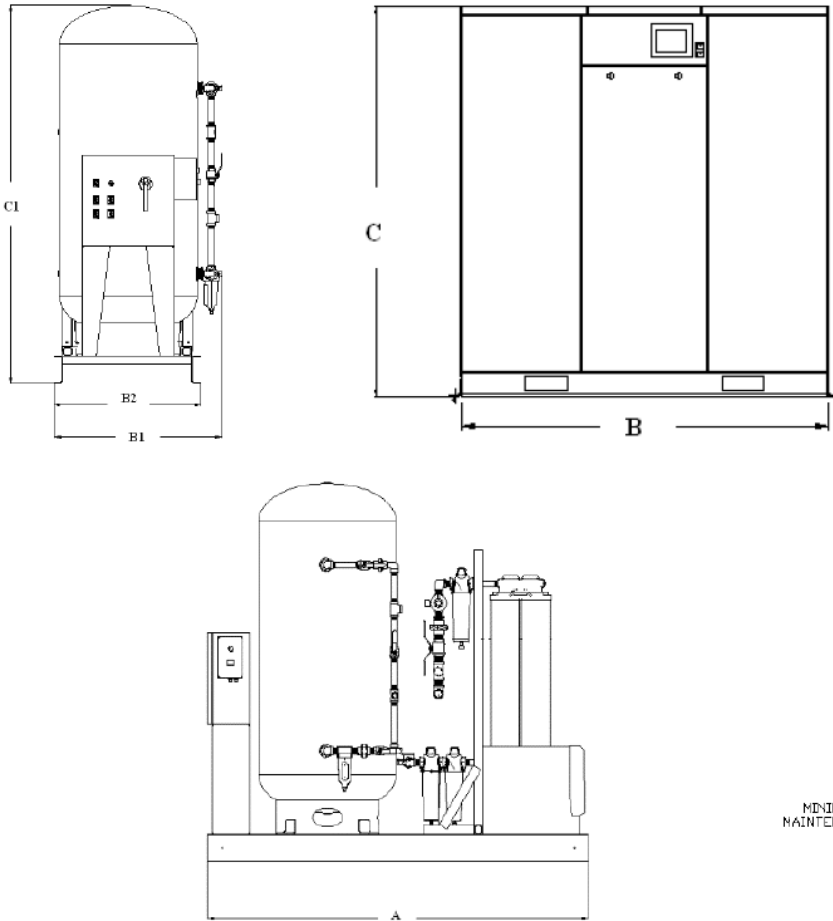
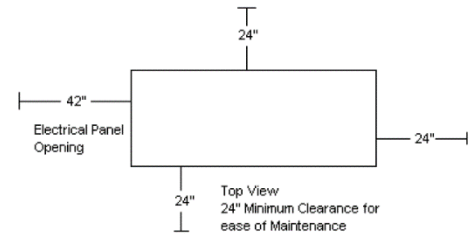
Dimensions								
Model	Dim. A	Dim. B	Dim. B1	Dim. B2	Dim. C	Dim C1	Optional Inlet (x2)	Outlet
LSE1003	65"	26"	39"	32"	61"	57"	1"	½"
LSE1504	65"	26"	39"	32"	61"	77"	1"	½"
LSE2005	79"	26"	39"	32"	61"	84"	1"	¾"



Laboratory Enclosed Scroll Simplex with Premium Controls									
Model	HP	SCFM @ 100 PSIG ^(1,3)	Tank Size (gal)	BTU/Hr ⁽²⁾	dB(A) Level ⁽⁴⁾	System F.L.A.			System Weight (lbs)
						208V	230V	460V	
LSE1003	10	92.4	80	12,725	53	30.8	28	15	1,350
LSE1504	15	30.4	120	25,450	56	45.2	41	21.5	1,700
LSE2005	20	45.6	200	38,180	58	59.6	54	28	2,050

- Notes:
- 1 – SCFM values @ 100 PSIG are shown with one pump in reserve per compressor column
 - 2 – BTU/Hr Levels are shown with reserve compressor(s) on standby
 - 3 – Powerex recommends using performance ratings in SCFM (Standard Cubic Feet per Minute) when sizing laboratory air systems.
 - 4 – dB(A) is shown with all pumps running
 - 5 – 3 Year Limited Warranty

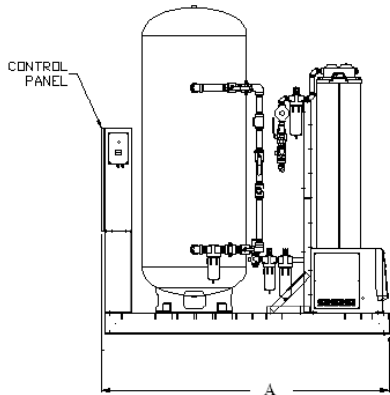
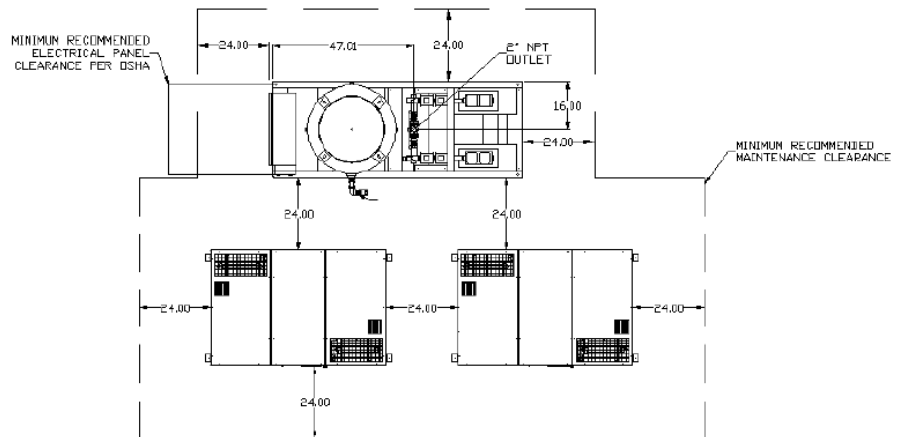
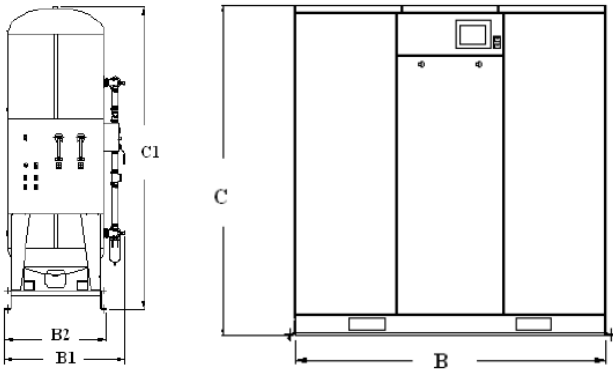
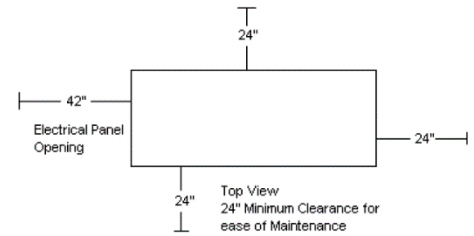
Dimensions								
Model	Dim. A	Dim. B	Dim. B1	Dim. B2	Dim. C	Dim C1	Optional Inlet (x2)	Outlet
LSE3005	79"	58"	37"	32"	62"	84"	1 ½"	1"
LSE4005	83"	58"	37"	32"	62"	84"	1 ½"	1 ½"



Laboratory Enclosed Scroll Simplex with Premium Controls									
Model	HP	SCFM @ 100 PSIG ^(1,3)	Tank Size (gal)	BTU/Hr ⁽²⁾	dB(A) Level ⁽⁴⁾	System F.L.A.			System Weight (lbs)
						208V	230V	460V	
LSE3005	30	60.8	200	50,900	59	88.4	80	40.9	2,450
LSE4005	40	91.2	200	76,400	60	117.2	80	40.9	2,950

- Notes:
- 1 – SCFM values @ 100 PSIG are shown with one pump in reserve per compressor column
 - 2 – BTU/Hr Levels are shown with reserve compressor(s) on standby
 - 3 – Powerex recommends using performance ratings in SCFM (Standard Cubic Feet per Minute) when sizing laboratory air systems.
 - 4 – dB(A) is shown with all pumps running
 - 5 – 3 Year Limited Warranty

Dimensions								
Model	Dim. A	Dim. B	Dim. B1	Dim. B2	Dim. C	Dim C1	Optional Inlet (x2)	Outlet
LSED3006	83"	58"	38"	32"	62"	96"	1 ½"	1"
LSED4006	84"	58"	38"	32"	62"	96"	1 ½"	1 ½"



Laboratory Enclosed Scroll Duplex with Premium Controls

Model	HP	SCFM @ 100 PSIG ^(1,3)	Tank Size (gal)	BTU/Hr ⁽²⁾	dB(A) Level ⁽⁴⁾	System F.L.A.			System Weight (lbs)
						208V	230V	460V	
LSED3006	30 (2)	121.6	240	102,000	61	174.8	158	79.9	4,800
LSED4006	40 (2)	182.4	240	153,000	62	232.4	210	105.8	5,400

Notes:

- 1 – SCFM values @ 100 PSIG are shown with one pump in reserve per compressor column
- 2 – BTU/Hr Levels are shown with reserve compressor(s) on standby
- 3 – Powerex recommends using performance ratings in SCFM (Standard Cubic Feet per Minute) when sizing laboratory air systems.
- 4 – dB(A) is shown with all pumps running
- 5 – 3 Year Limited Warranty