



Installation Instructions for Recessed PX-X-11 Series Outlets

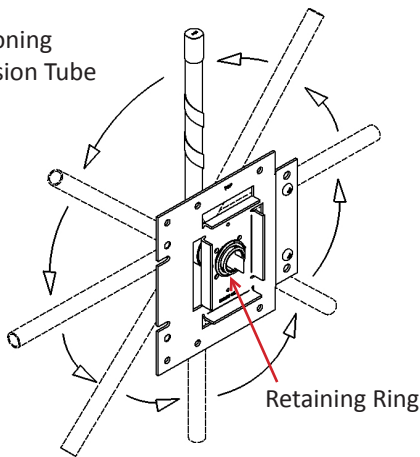
Model Numbers

Outlet Style	Nitrous Oxide	Carbon Dioxide	Nitrogen	Medical Air	Medical Vacuum	Oxygen	WAGD	Instrument Air
Allied	PX-XA1104	PX-XA1108	–	PX-XA1116	PX-XA1122	PX-XA1124	PX-XA1132	–
DISS	PX-XF1104	PX-XF1108	PX-XF1112	PX-XF1116	PX-XF1122	PX-XF1124A	PX-XF1132	PX-XF112080
Ohmeda	PX-XQ1104	PX-XQ1108	–	PX-XQ1116	PX-XQ1122	PX-XQ1124	PX-XQ1132	–
Puritan	PX-XP1104	PX-XP1108	–	PX-XP1116	PX-XP1122	PX-XP1124	PX-XP1132	–

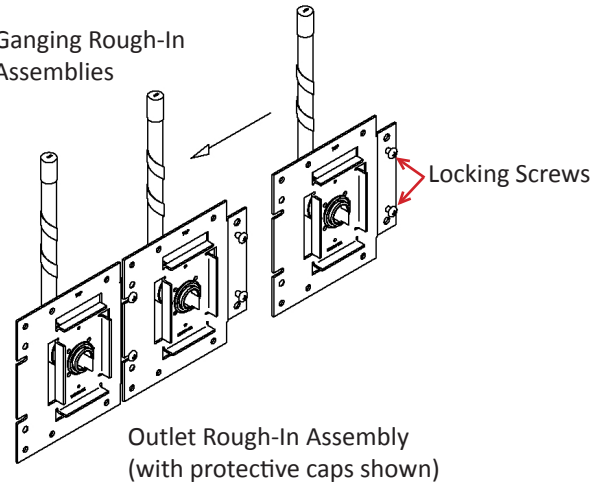
Ganging Outlet

Figure 1

Positioning
Extension Tube



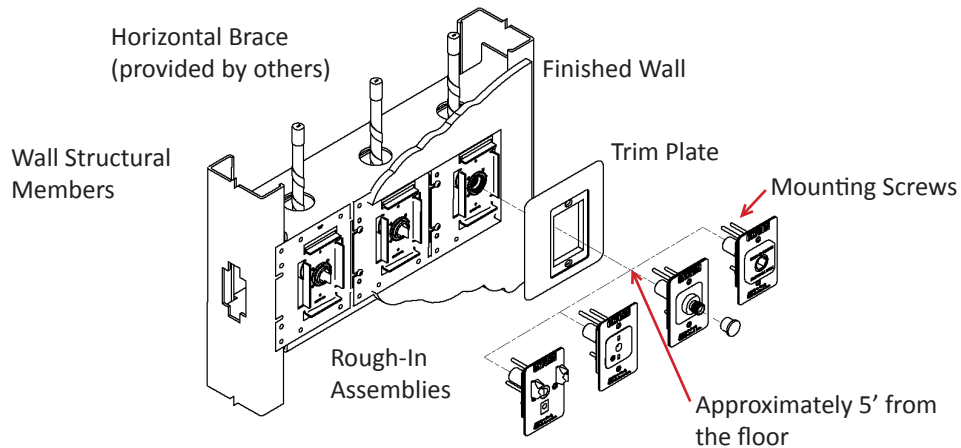
Ganging Rough-In
Assemblies



Outlets are shipped with extension tube in the top entry position.

Outlet Installation

Figure 2



Outlets are shipped with protective covers on the outlets.
Do not remove until necessary for trim plate and finishing kit assembly to prevent debris from contaminating the outlet.

Recessed Outlet Installation Instructions

Powerex outlets are designed to allow ganging of plates to provide multiple outlet stations. Individual outlet assemblies include an interlocking mounting plate with alignment holes and locking screws on the flange and alignment dimples and slots on the left side.

NOTICE *Powerex outlets have been pre-tested to the requirements for manufactured assemblies in accordance with National Fire Protection Association (NFPA) pamphlet 99. Outlets should be installed and tested in accordance with recommendations specified in National Fire Protection Association (NFPA) pamphlet 99 or Canadian Standards Association (CSA) standard Z7396-1.*

Ganging Outlet Rough-In Assemblies

- Position the extension tube as necessary by rotating outlet.
- Orient each outlet so that the gas service designation is right side up and the slots are to the left.
- Slide the plate over the right-side flange until the alignment dimples lock into place.
- Tighten the locking screws to secure the rough-in assemblies.

Outlet Installation

- Provide rigid mounting for the outlets. Suggested outlet height is 5' above the floor.
- Mount assembly so it will be flush or below wall surface. Remove protective caps to perform step 3 then replace.
- Connect extension tube to gas piping system in accordance with NFPA 99. Make sure drop is for proper gas service. Silver braze joint. Conduct heat away from the outlet, using a nitrogen purge. After brazing, for Medical Vacuum and WAGD outlets only, insert the supplied test plug and tighten down the mounting screws.
- Remove protective caps from outlets. Test outlet for leakage in accordance with NFPA or CSA standards.
- Finish wall installation. Rough-in assembly tabs should be flush or below the wall surface.
- Install trim plate and finishing kits, aligning indexing pin with indexing hole in outlet assembly. Do not tighten screws.
- After all plates have been installed and aligned, tighten mounting screws. Test outlets for cross connection and any other applicable tests in accordance with NFPA or CSA standards.