



Lubricated Simplex and Duplex Tank Mount Compressor

Rev. 1/28/14

GENERAL

The Powerex lubricated Climate Control Series tank mounted system is designed to provide a source of air to power pneumatic systems for industrial applications where the quality of compressed air is critical.

AIR COMPRESSOR SYSTEM

The package shall include one or two lubricated air compressor/s and associated equipment, one ASME air receiver, one optional dryer, and one optional magnetic starter/alternating control panel. The only field connections required will be system discharge, power connection at the control panel and dryer, and condensate drain connection. All interconnecting piping and wiring shall be included and operationally tested prior to shipment. Vibration isolation pads are included with the system.

COMPRESSOR PUMP

The compressor pump shall be a single stage, oil lubricated, reciprocating design. Each compressor includes individually precision machined cylinders and lap joint rings to provide the lowest oil carryover in the industry. Oil carryover rate shall be guaranteed less than 2 PPM. A fan type flywheel provided to maintain low operating temperatures. Each compressor unit shall be capable of continuous-duty operation. Compressors to be shipped with an initial fill of Mobil DTE Heavy compressor oil.

MOTORS

Each compressor shall be belt driven by a 60 cycle, 1750 RPM, ODP NEMA construction motor. Motors operating at speeds higher than 1750 RPM shall not be acceptable. OSHA compliant belt guards shall be provided.

AIR RECEIVER

The system shall include a horizontal ASME rated air receiver, rated for 200 PSI MAWP. The air receiver shall be equipped with a pressure gauge, safety relief valve, discharge shut-off valve, and manual tank drain.

Optional drain valves include: 1) 115V "No-loss" type automatic tank drain, 2) 115V automatic solenoid timer drain, or 3) automatic float style drain.

OPTIONAL CONTROL PANEL

SIMPLEX – The system shall include a UL listed magnetic starter in a NEMA 1 enclosure with 3-leg overload protection, and overload reset button. A NEMA 1 pressure switch shall control the start/stop operation of the compressor and shall operate in the range of 80-100 psig.

DUPLEX – The system shall include a UL listed control panel in a NEMA 1 enclosure with alternating relay and pump selector switch. The following accessories are included for **each** pump:
Magnetic starter with 3-leg overload protection, and overload reset button. Compressor operation is start/stop, with each compressor alternating lead and lag positions. Both compressors will operate simultaneously if system demand requires.

OPTIONAL REFRIGERANT AIR DRYER

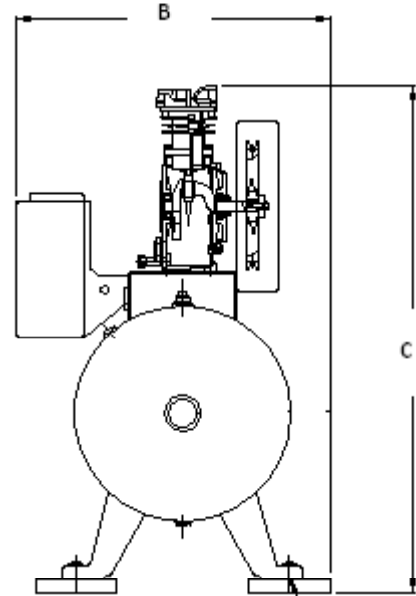
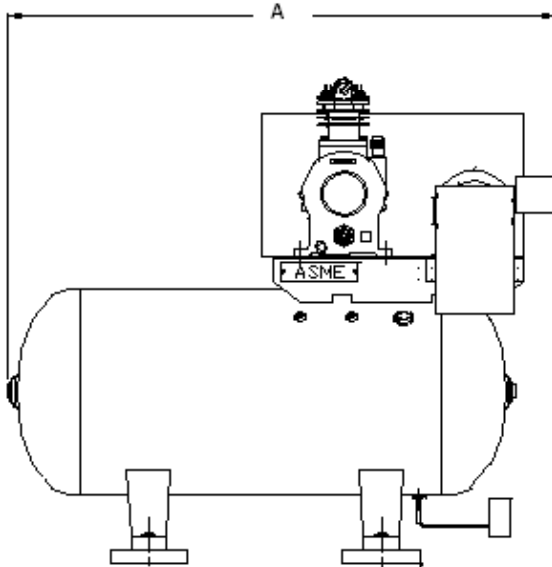
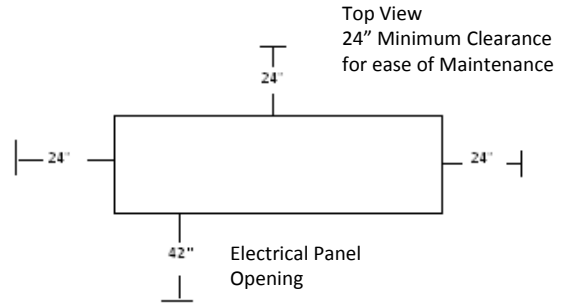
The Powerex air drying system shall be tank mounted with compressor, and shall provide air at a 35-38 degree F pressure dew point. The refrigerated compressed air dryer is non-cycling, direct expansion, using R-134a refrigerant. A constant pressure expansion valve is provided to maintain a 38 degree F evaporator temperature. The dryer is self-regulating for large load swings, and includes a 3-micron filter/separator with automatic condensate drain. Option also includes a .01 micron after filter, a dryer bypass valve, a pressure regulator and an installed automatic solenoid timer drain.



Air Compressor Simplex with 30 gal. tank

Rev. 7/24/12

DIMENSIONS				
MODEL	DIM. A	DIM. B	DIM. C	Outlet
AS1071	43"	24"	38"	3/4"
AS0071	43"	24"	38"	3/4"
AS1101	43"	24"	38"	3/4"
AS0101	43"	24"	38"	3/4"
AS0151	43"	24"	40"	3/4"



Air Compressor Simplex											
MODEL	HP ¹	Phase	Tank Size (Gal.)	SCFM @ 100 PSIG	BTU/HR	dB(A) Level	SYSTEM F.L.A.				SYSTEM WT. (LBS.)
							115V	208V	230V	460V	
AS1071**	3/4	1	30	2.1	1,909	69	10.2	*6	5.1	-	222
AS0071**	3/4	3	30	2.1	1,909	69	-	*3.6	3	1.5	222
AS1101	1	1	30	3.4	2,545	69	13.4	*7.4	6.7	-	231
AS0101	1	3	30	3.4	2,545	69	-	*3.1	3	1.5	231
AS0151	1.5	3	30	4.5	3,818	69	-	*4.5	4.4	2.2	230

Notes: 1- Actual BHP is less than rated name plate. Contact Powerex for BHP rating.

2 - 3 Year Limited Warranty

* System is usable at 208 volts, but should not be used at any value below that voltage.

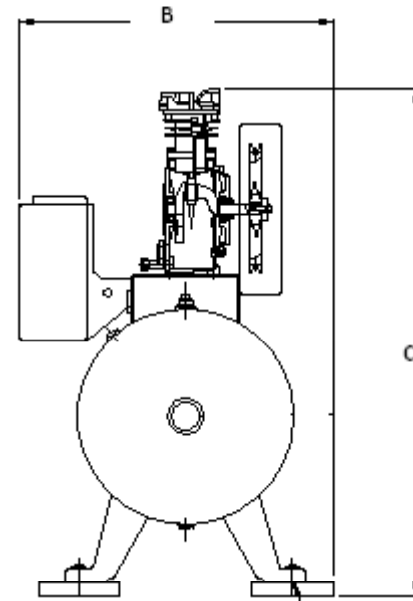
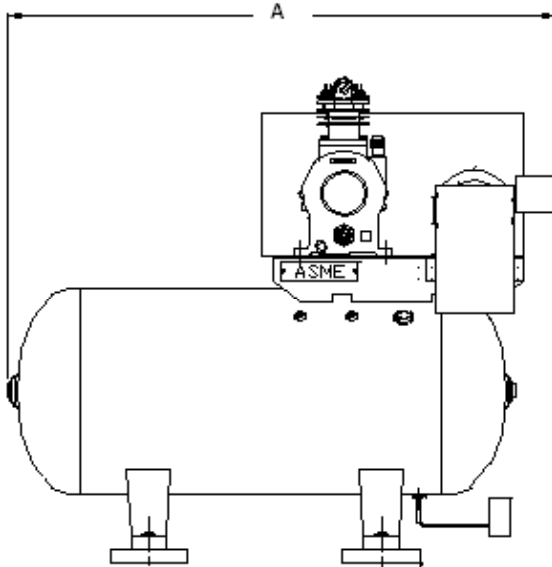
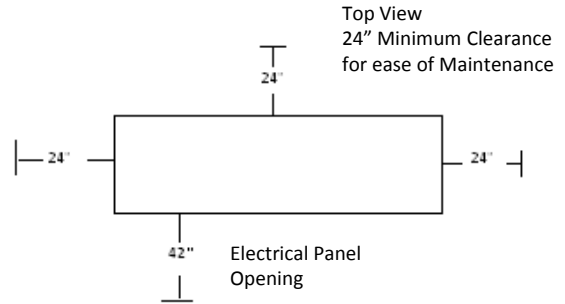
** 3/4 HP Models can only be used up to 5000 ft. elevation; above 5000 ft. elevation, 1HP or greater Models must be used.



Air Compressor Simplex with 60 gal. tank

Rev. 7/24/12

DIMENSIONS				
MODEL	DIM. A	DIM. B	DIM. C	Outlet
AS1072	51"	25"	42"	3/4"
AS0072	51"	25"	42"	3/4"
AS1102	51"	25"	42"	3/4"
AS0102	51"	25"	42"	3/4"
AS0152	51"	25"	45"	3/4"
AS0202	51"	25"	45"	3/4"



Air Compressor Simplex												
MODEL	HP ¹	Phase	Tank Size (Gal.)	SCFM @ 100 PSIG	BTU/HR	dB(A) Level	SYSTEM F.L.A.				SYSTEM WT. (LBS.)	
							115V	208V	230V	460V		
AS1072**	3/4	1	60	2.1	1,909	69	10.2	*6	5.1	-	288	
AS0072**	3/4	3	60	2.1	1,909	69	-	*3.6	3	1.5	288	
AS1102	1	1	60	3.4	2,545	69	13.4	*7.4	6.7	-	312	
AS0102	1	3	60	3.4	2,545	69	-	*3.1	3	1.5	312	
AS0152	1.5	3	60	4.5	3,818	69	-	*4.5	4.4	2.2	317	
AS0202	2	3	60	6.7	5,090	70	-	*5.95	5.8	2.9	343	

Notes:

1- Actual BHP is less than rated name plate. Contact Powerex for BHP rating.

2 - 3 Year Limited Warranty

* System is usable at 208 volts, but should not be used at any value below that voltage.

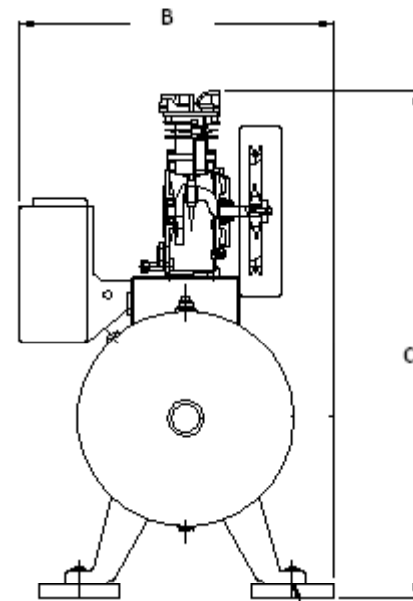
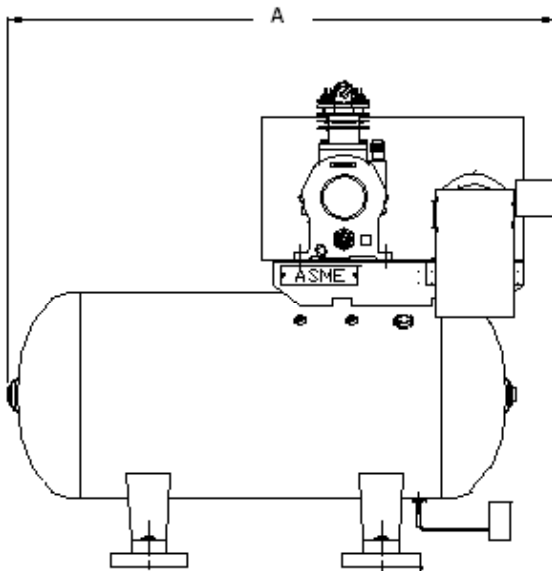
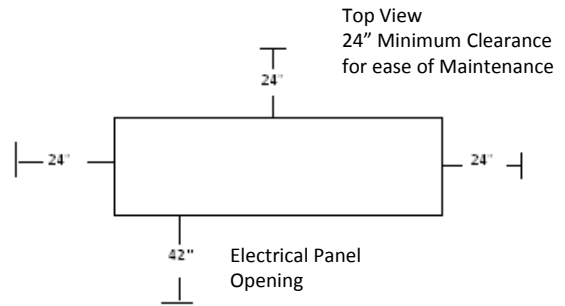
** 3/4 HP Models can only be used up to 5000 ft. elevation; above 5000 ft. elevation, 1HP or greater M Models must be used.



Air Compressor Simplex with 80 gal. tank

Rev. 7/24/12

DIMENSIONS				
MODEL	DIM. A	DIM. B	DIM. C	Outlet
AS0203	64"	26"	45"	3/4"
AS0303	64"	26"	45"	3/4"



Air Compressor Simplex												
MODEL	HP ¹	Phase	Tank Size (Gal.)	SCFM @ 100 PSIG	BTU/HR	dB(A) Level	SYSTEM F.L.A.				SYSTEM WT. (LBS.)	
							115V	208V	230V	460V		
AS0203	2	3	80	6.7	5,090	70	-	*5.95	5.8	2.9	449	
AS0303	3	3	80	10.1	7,635	73	-	8.98	8.12	4.06	479	

Notes: 1- Actual BHP is less than rated name plate. Contact Powerex for BHP rating.
 2- 3 Year Limited Warranty
 * System is usable at 208 volts, but should not be used at any value below that voltage.

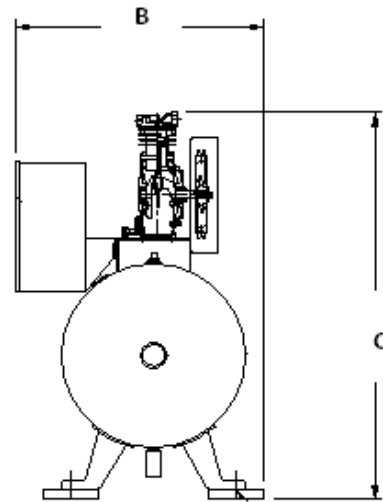
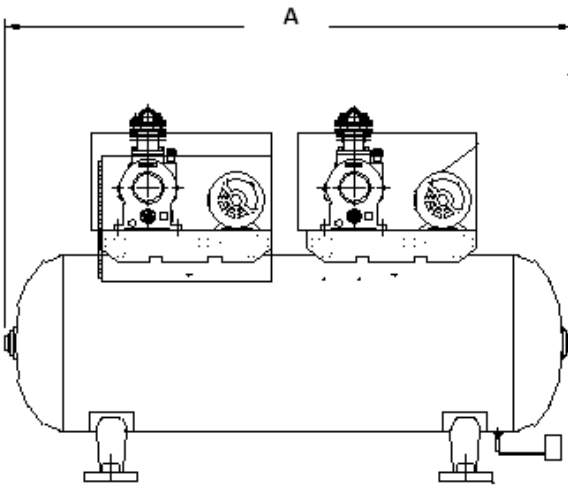
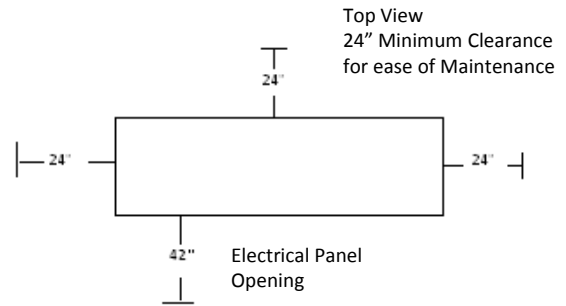


Air Compressor Duplex

3/4 - 1 HP

Rev. 7/24/12

DIMENSIONS				
MODEL	DIM. A	DIM. B	DIM. C	Outlet
AD1071	42"	26"	38"	3/4"
AD0071	42"	26"	38"	3/4"
AD1101	42"	26"	38"	3/4"
AD0101	42"	26"	38"	3/4"
AD1073	64"	27"	43"	3/4"
AD0073	64"	27"	43"	3/4"
AD1103	64"	27"	43"	3/4"
AD0103	64"	27"	43"	3/4"



Air Compressor Duplex											
MODEL	HP ¹	Phase	Tank Size (Gal.)	SCFM @ 100 PSIG	BTU/HR	dB(A) Level	SYSTEM F.L.A.				SYSTEM WT. (LBS.)
							115V	208V	230V	460V	
AD1071*	3/4 (2)	1	30	4.2	3,818	72	20.4	*12.2	10.4	-	260
AD0071*	3/4 (2)	3	30	4.2	3,818	72	-	*7.4	6.2	3.1	260
AD1101	1 (2)	1	30	6.8	5,090	72	26.8	*15	13.6	-	270
AD0101	1 (2)	3	30	6.8	5,090	72	-	*6.4	6.2	3.1	270
AD1073*	3/4 (2)	1	80	4.2	3,818	72	20.4	*12.2	10.4	-	420
AD0073*	3/4 (2)	3	80	4.2	3,818	72	-	*7.4	6.2	3.1	420
AD1103	1 (2)	1	80	6.8	5,090	72	26.8	*15	13.6	-	435
AD0103	1 (2)	3	80	6.8	5,090	72	-	*6.4	6.2	3.1	435

Notes: 1- Actual BHP is less than rated name plate. Contact Powerex for BHP rating.

2- 3 Year Limited Warranty

* - 3/4 HP models can only be used up to 5000 ft. elevation; Above 5000 ft. elevation, 1HP or greater models must be used.

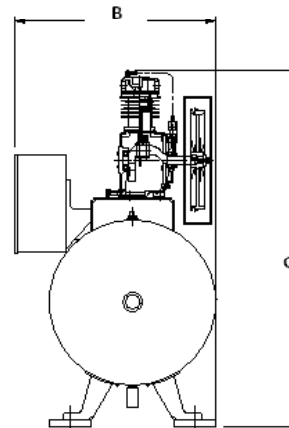
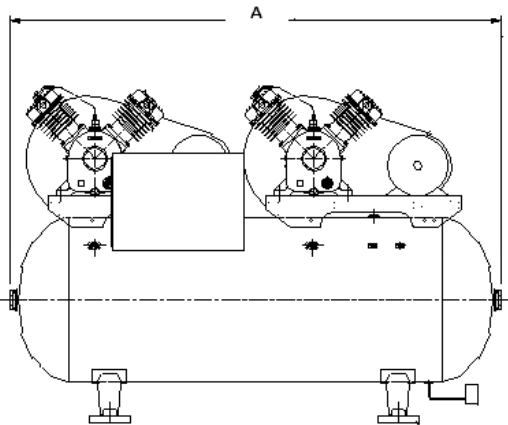
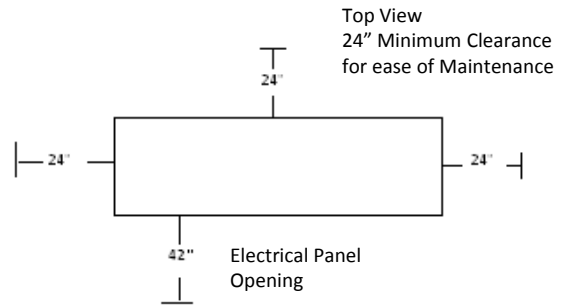
* System is usable at 208 volts, but should not be used at any value below that voltage.



Air Compressor Duplex 1.5-10 HP

Rev. 7/24/12

DIMENSIONS				
MODEL	DIM. A	DIM. B	DIM. C	Outlet
AD0151	42"	26"	40"	3/4"
AD0153	64"	27"	45"	3/4"
AD0203	64"	29"	45"	3/4"
AD0303	65"	29"	45"	3/4"
AD0304	72"	29"	50"	1"
AD0504	72"	29"	52"	1"
AD0505	82"	34"	57"	1"
AD0754	72"	29"	55"	1"
AD0755	82"	34"	60"	1"
AD1005	83"	34"	60"	1"



Air Compressor Duplex										
MODEL	HP ¹	Phase	Tank Size (Gal.)	SCFM @ 100 PSIG	BTU/HR	dB(A) LEVEL	SYSTEM F.L.A.			SYSTEM WT. (LBS.)
							208V	230V	460V	
AD0151	1.5 (2)	3	30	9.0	7,635	72	*9.3	9	4.5	260
AD0153	1.5 (2)	3	80	9.0	7,635	72	*9.3	9	4.5	435
AD0203	2 (2)	3	80	13.4	10,180	73	*12.1	11.8	5.9	500
AD0303	3(2)	3	80	20.2	15,270	76	18.2	16.5	8.2	650
AD0304	3(2)	3	120	20.2	15,270	76	18.2	16.5	8.2	780
AD0504	5 (2)	3	120	37.2	25,450	79	28.6	25.8	12.9	930
AD0505	5 (2)	3	200	37.2	25,450	79	28.6	25.8	12.9	1,155
AD0754	7.5 (2)	3	120	56.0	38,175	81	40.2	36.4	18.2	950
AD0755	7.5 (2)	3	200	56.0	38,175	81	40.2	36.4	18.2	1,175
AD1005	10 (2)	3	200	74.0	50,900	82	54.2	49	24.5	1,440

Notes: 1- Actual BHP is less than rated name plate. Contact Powerex for BHP rating.
 2- 3 Year Limited Warranty
 * System is usable at 208 volts, but should not be used at any value below that voltage.